

aquatica®

Function : Form : Fashion



## Spring RC-300/140

Wall-Mounted Built-In Waterfall Shower

Installation & Care Manual

**INTERNATIONAL**

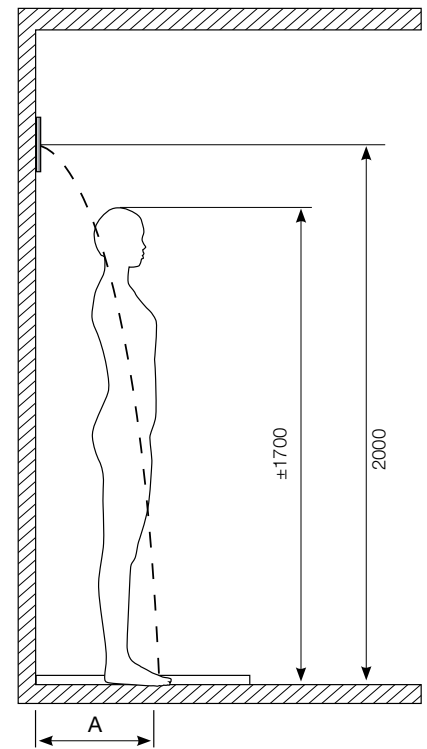
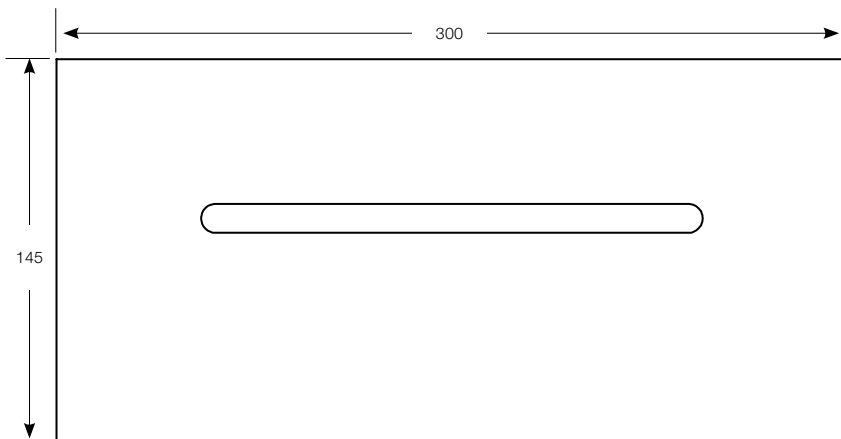
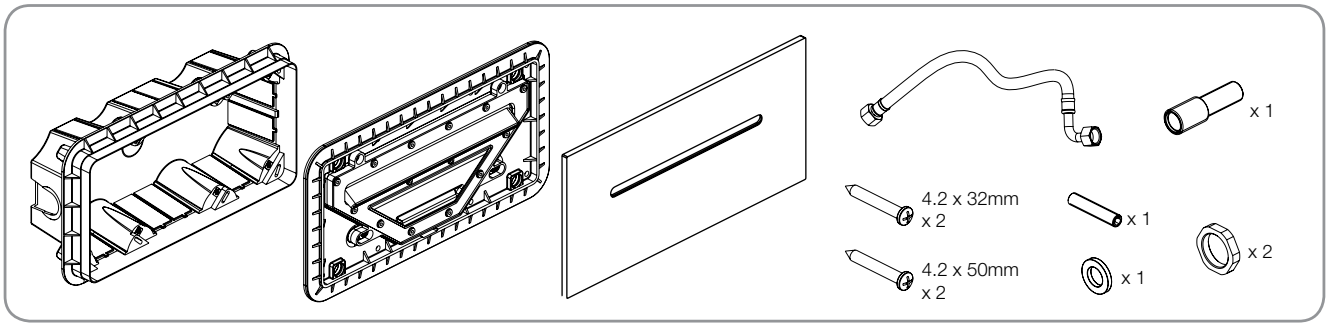
Aquaticausa.com  
Aquaticabath.ca  
E: info@aquaticabath.com

aquatica®  
Function : Form : Fashion

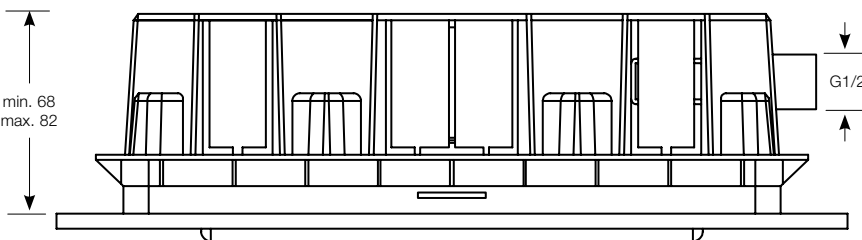
# Spring RC-300/140

Wall-Mounted Built-In Waterfall Shower

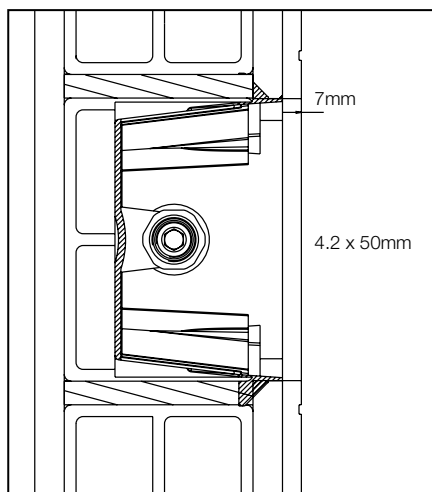
## PARTS LIST



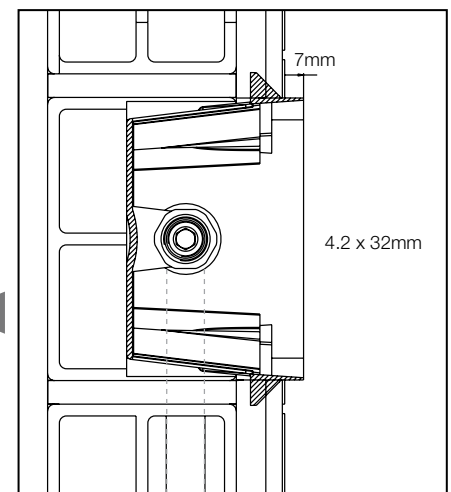
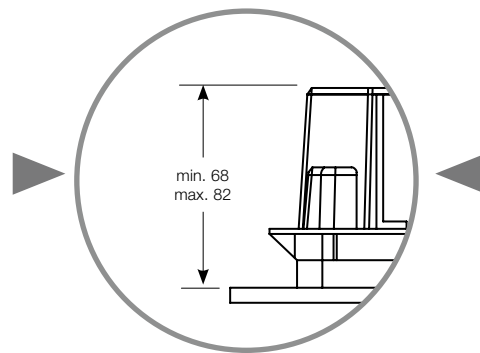
A = 650 mm (3 BAR 17,5 l/min.  
450 mm (1,5 BAR 12,9 l/min.)



ALL DIMENSIONS = mm



**ATTENTION:**  
The built-in unit cannot be positioned beyond the indicated maximum and minimum measures.



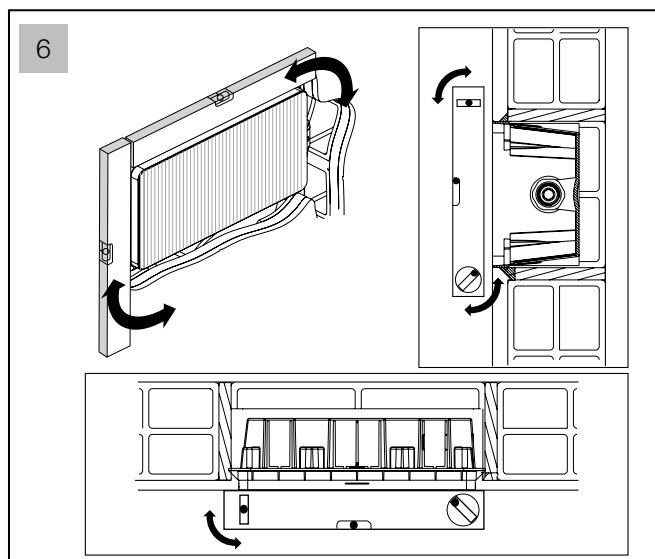
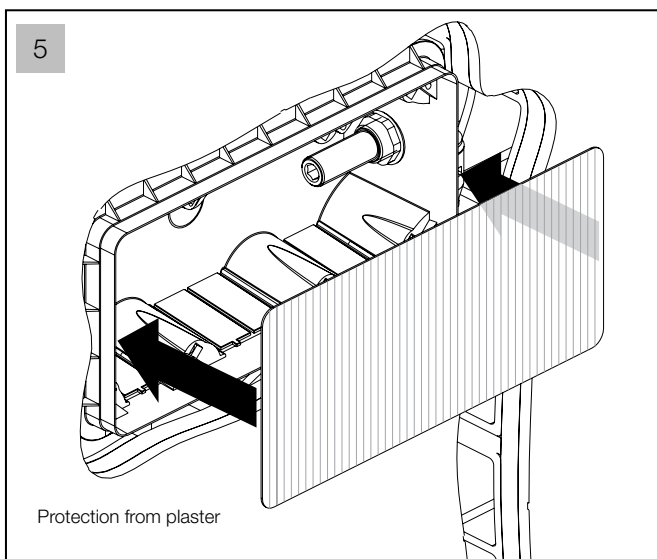
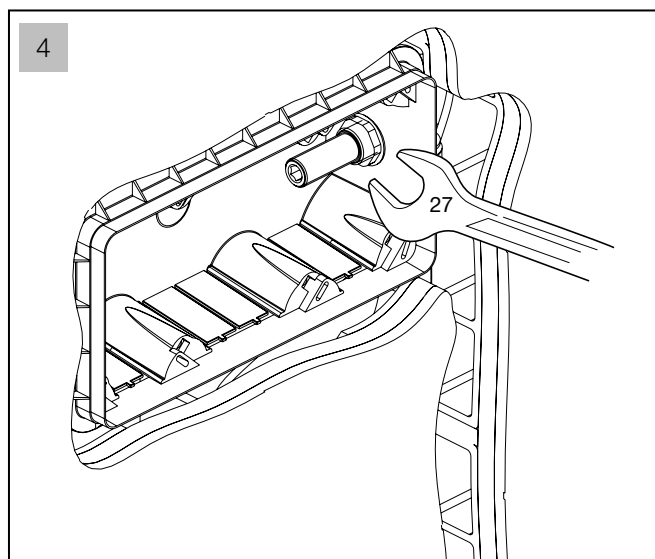
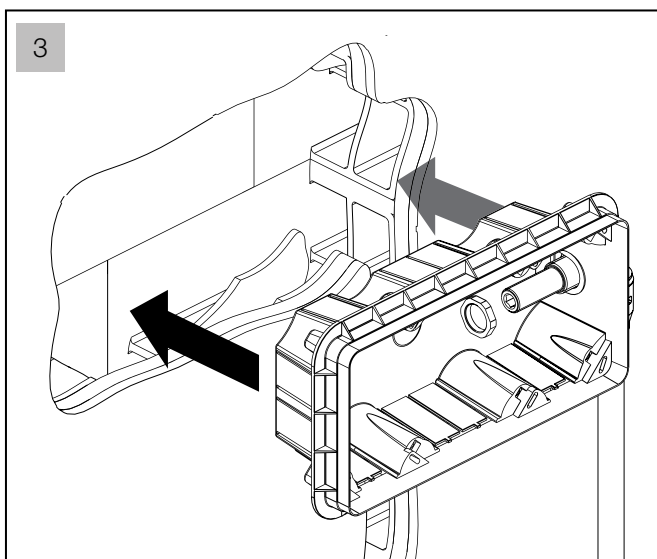
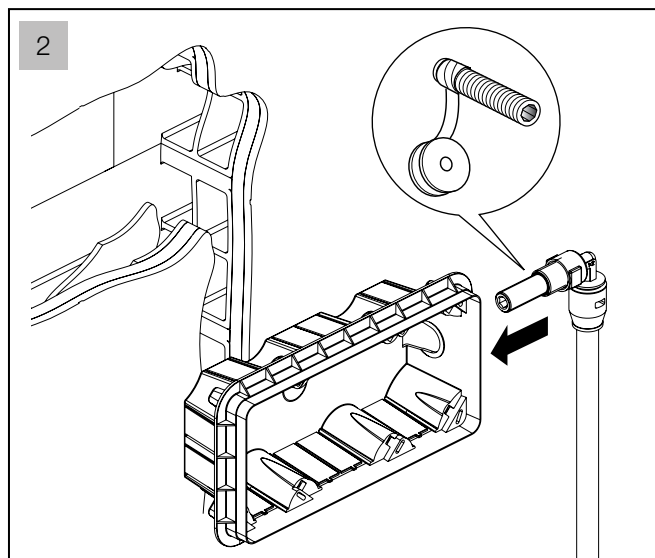
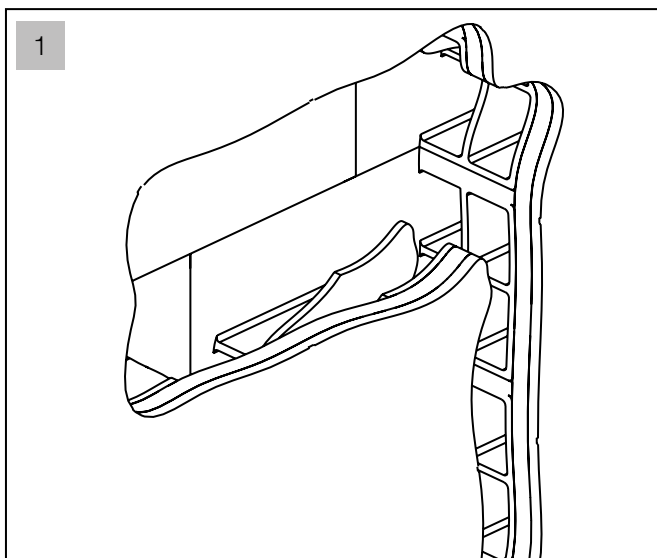
# Spring RC-300/140

Wall-Mounted Built-In Waterfall Shower

## INSTALLATION SEQUENCE

aquatica®

Function : Form : Fashion



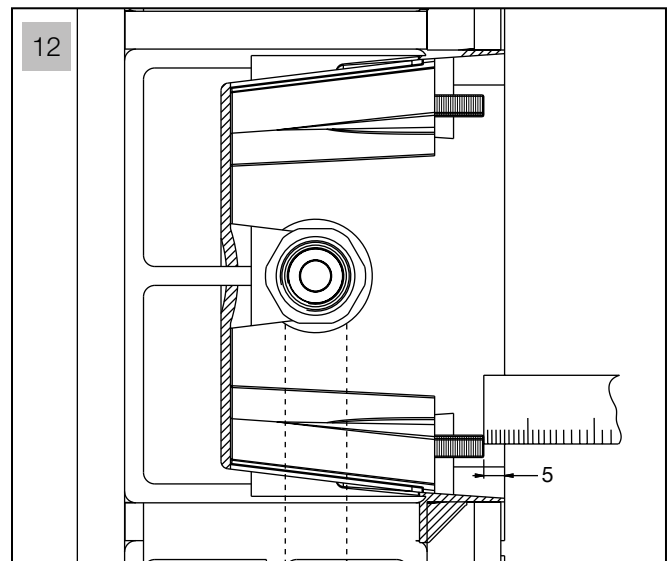
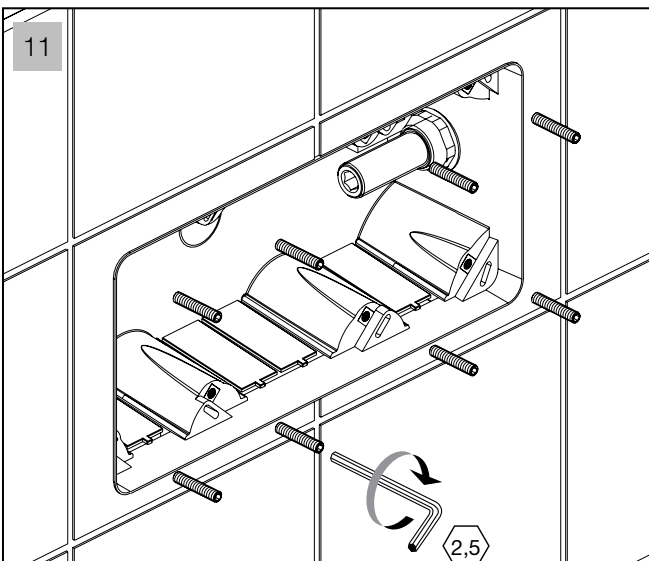
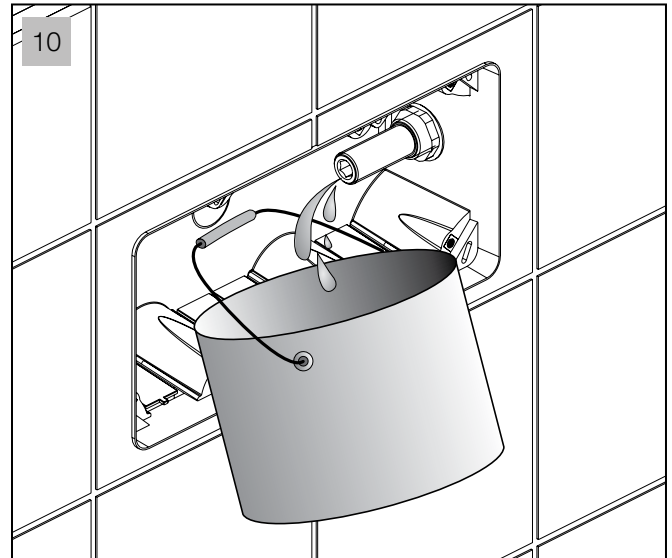
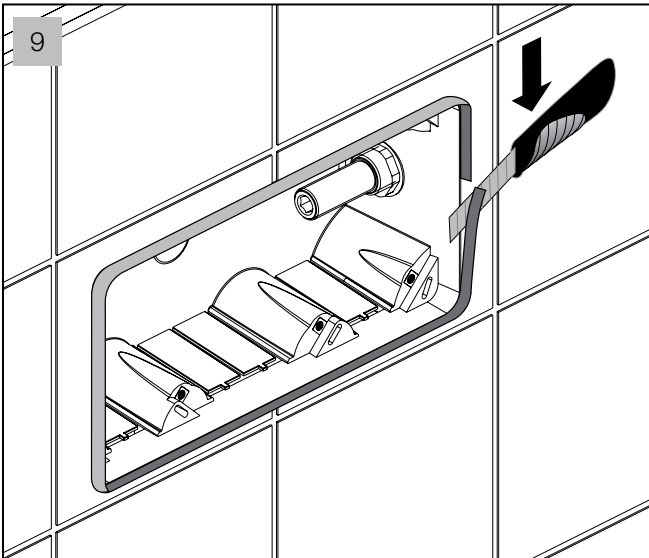
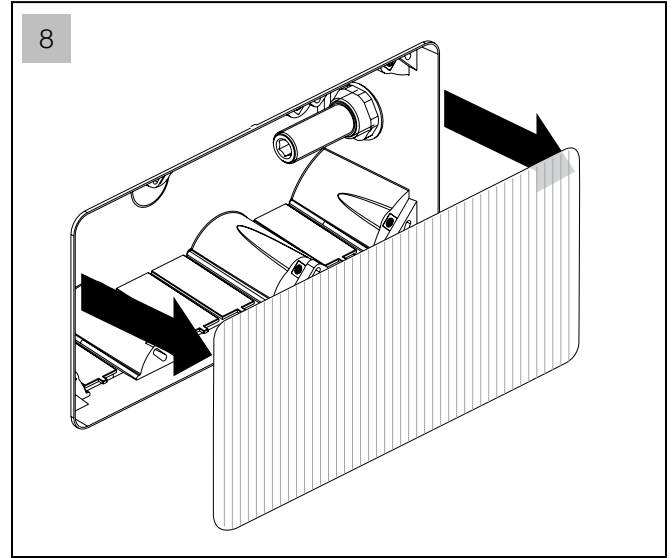
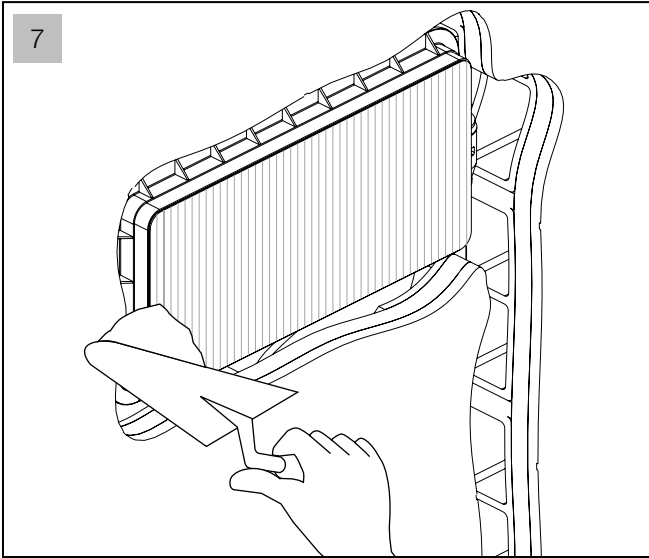
aquatica®

Function : Form : Fashion

# Spring RC-300/140

Wall-Mounted Built-In Waterfall Shower

## INSTALLATION SEQUENCE continued



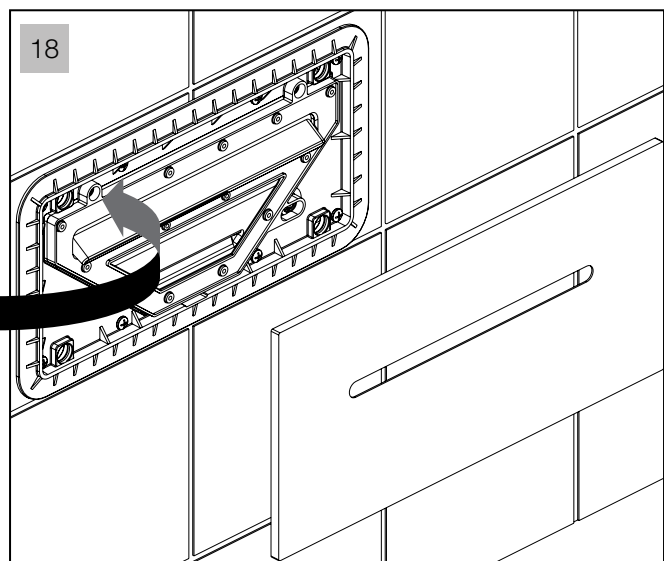
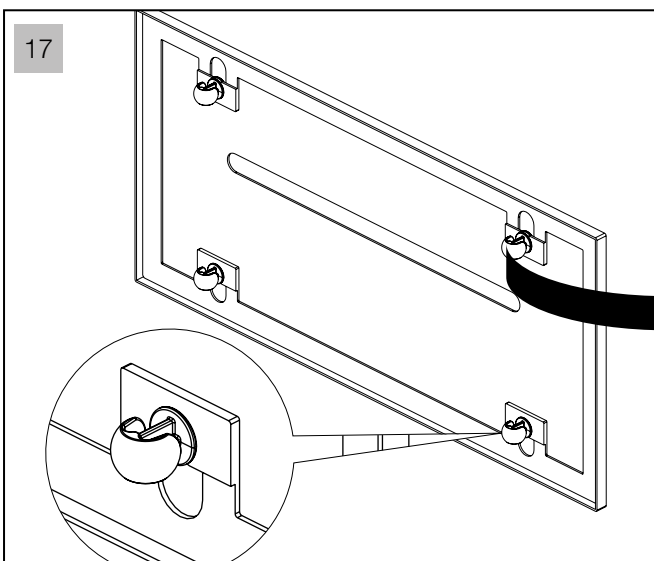
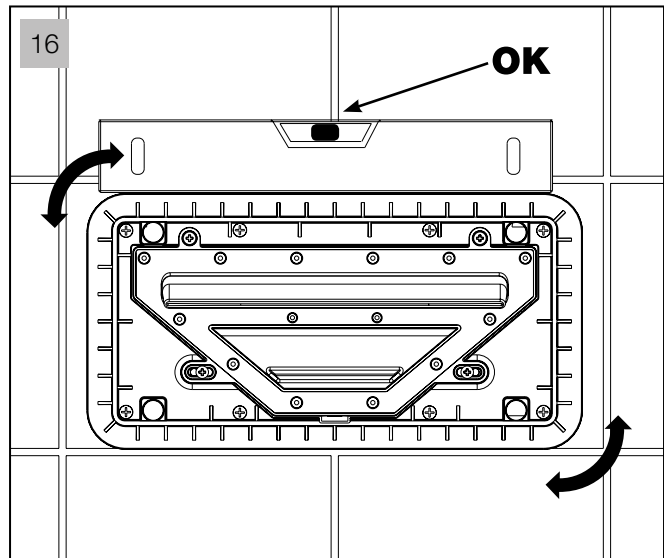
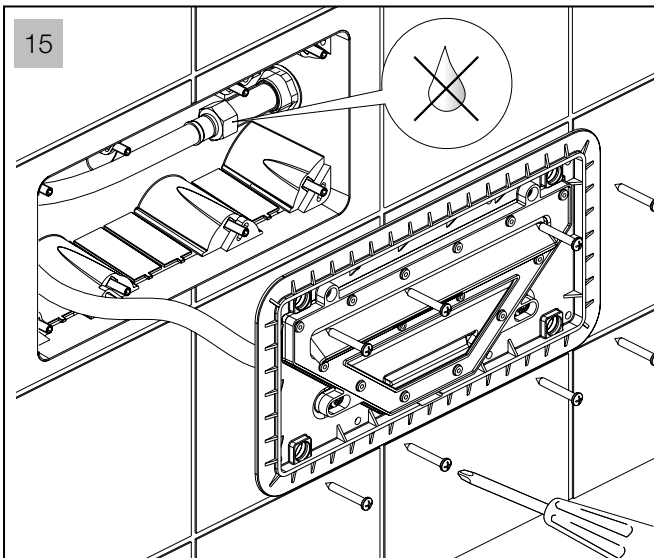
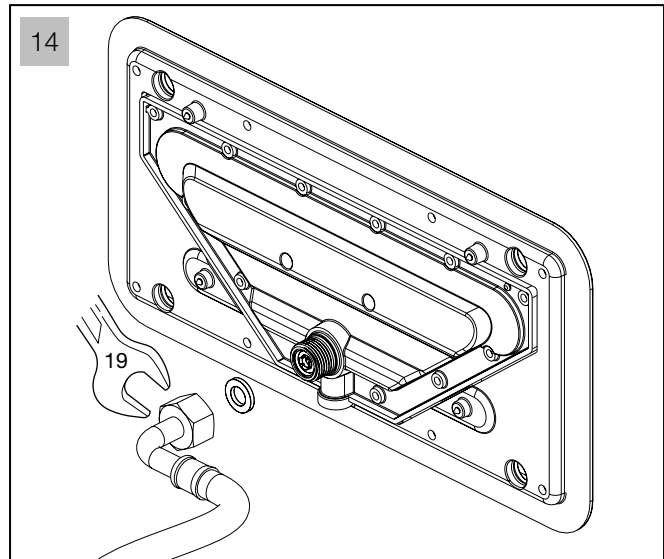
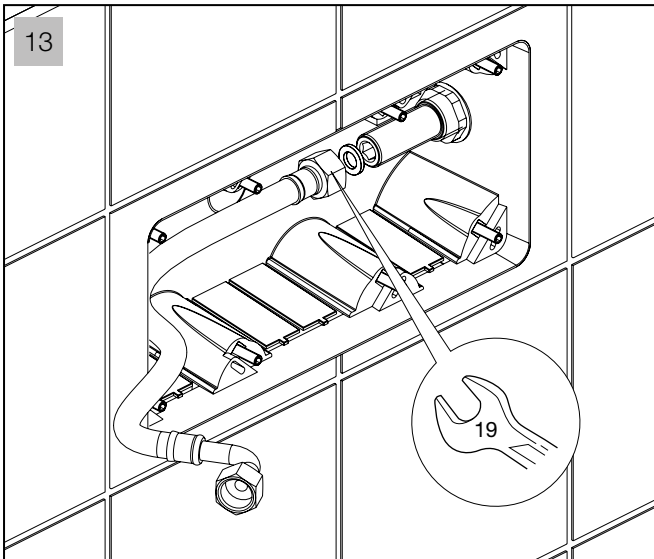
# Spring RC-300/140

Wall-Mounted Built-In Waterfall Shower

## INSTALLATION SEQUENCE continued

aquatica®

Function : Form : Fashion



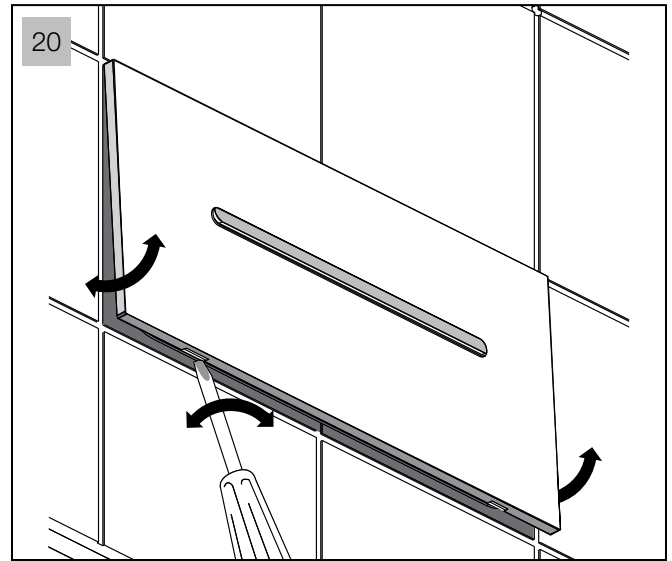
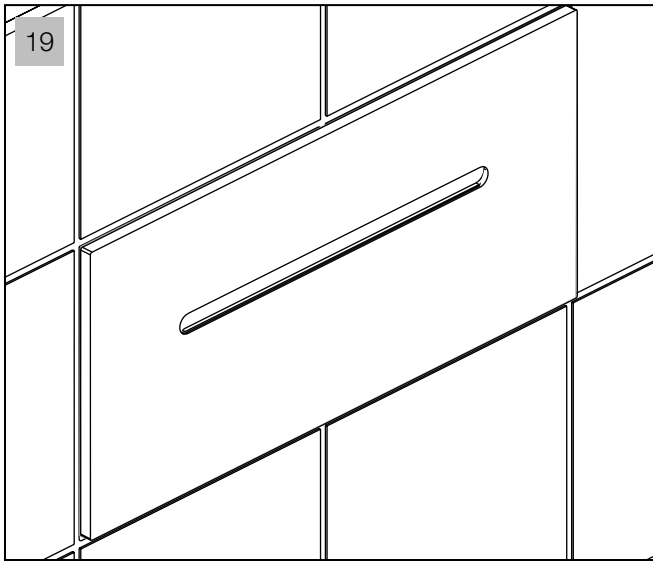
aquatica®

Function : Form : Fashion

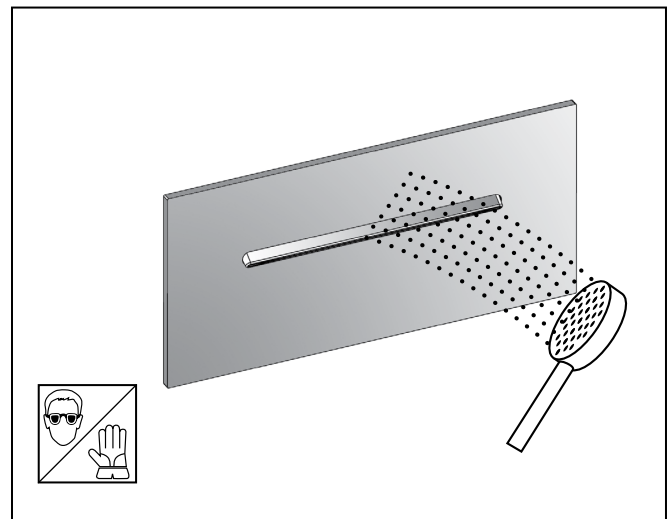
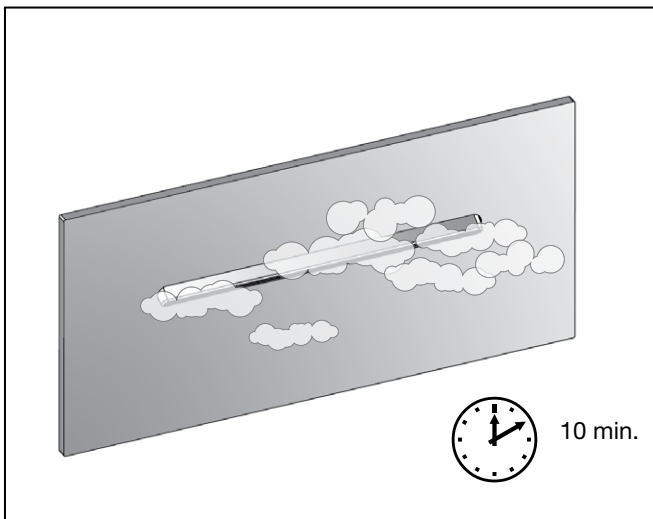
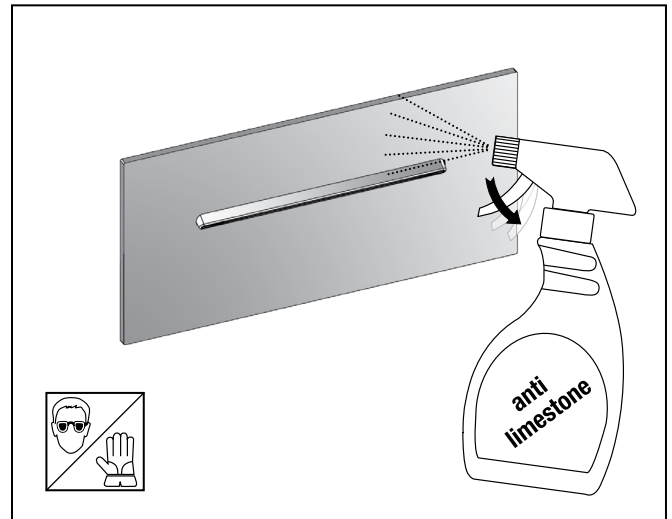
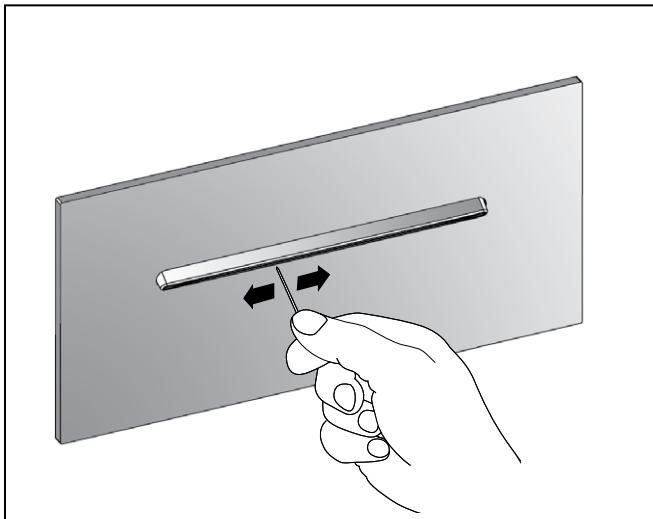
# Spring RC-300/140

Wall-Mounted Built-In Waterfall Shower

## INSTALLATION SEQUENCE continued



## CLEANING TIPS



**WARNING!** The use of non-recommended substances may ruin the surfaces permanently. In this case the warranty is not valid.

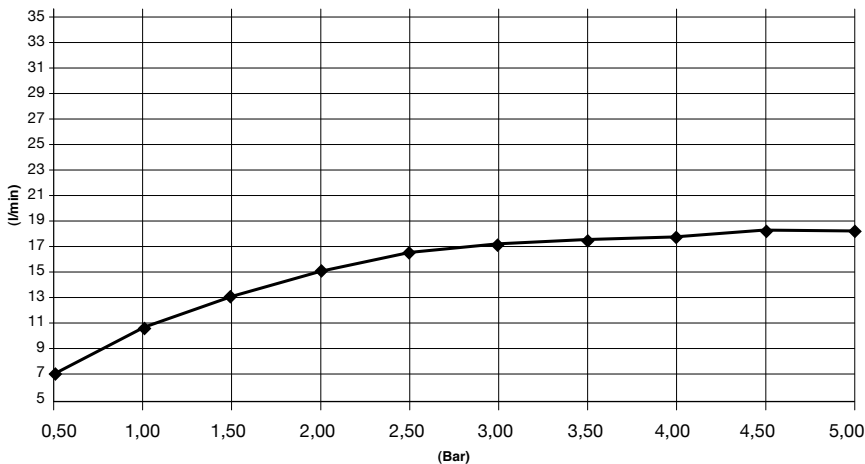
# Spring RC-300/140

Wall-Mounted Built-In Waterfall Shower

## TECHNICAL SPECIFICATIONS

aquatica®

Function : Form : Fashion



**IT** | Portata l/min.  
**GB** | l/min. flow  
**FR** | Débit l/min.  
**DE** | l/min. fluss  
**ES** | Caudal l/min.



MIN 1 Bar  
 MAX 5 Bar  
**BEST 3 Bar**



MAX 70° C  
**BEST 38°/40° C**

Pressione Dinamica (bar) / Portata (Litri/min)	
Bar	0,51    1,52    2,53    3,54    4,55
◆	6,9    10,4    12,9    14,9    16,3    17,1    17,4    17,5    17,9    17,9

The company reserves the right to modify products and components without notice at any time.  
 The data reported in this document are for information purposes and are not binding.



aquatica®

Function : Form : Fashion

aquatica®

Function : Form : Fashion



CE

Aquatica Plumbing Europe LTD  
Dzirnava iela 73-2, Riga, Latvia  
13  
EN 14516  
CL1  
CA-DA